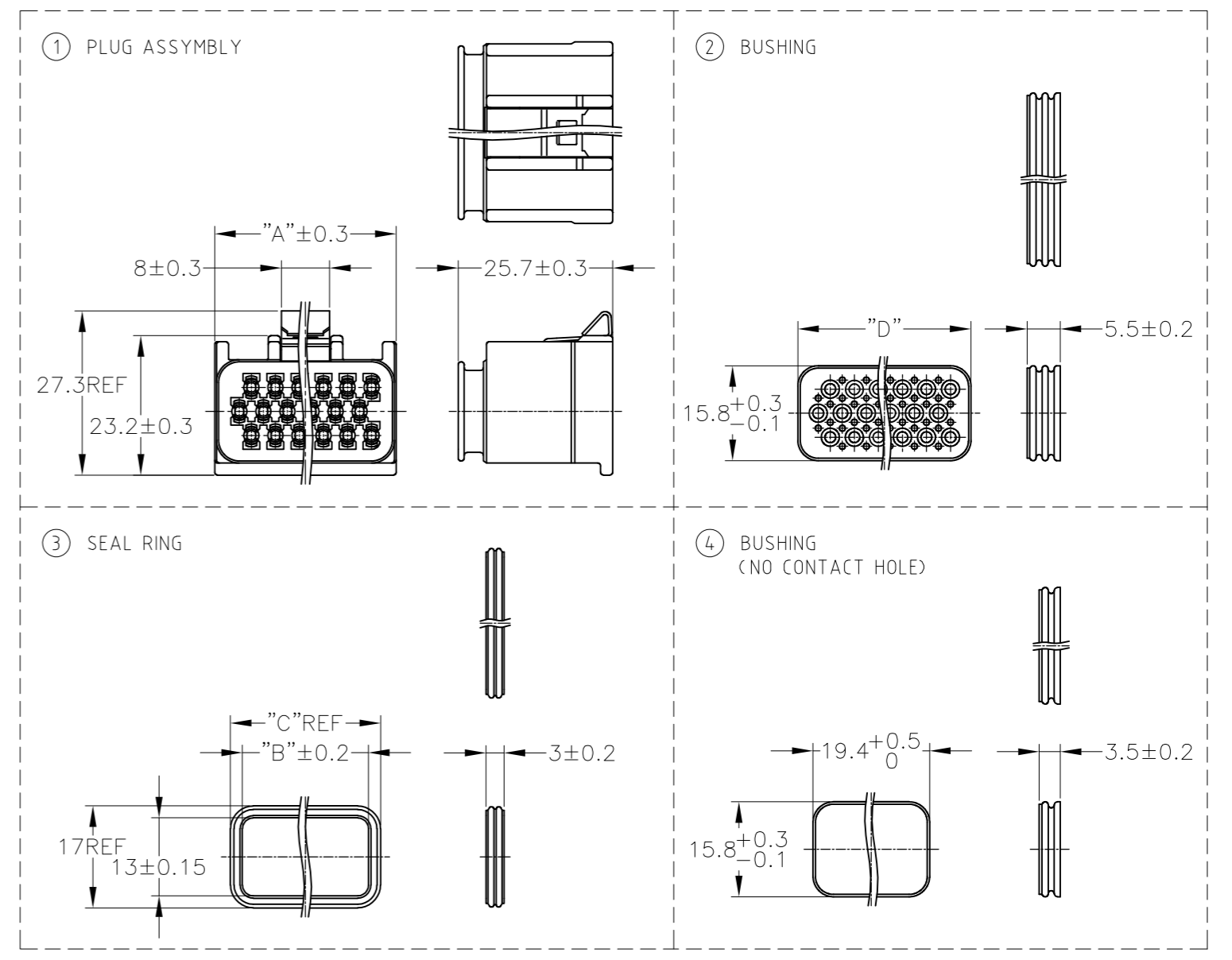


THIS DRAWING IS UNPUBLISHED. RELEASED FOR PUBLICATION
 © COPYRIGHT - By - ALL RIGHTS RESERVED.

LOC		DIST		REVISIONS			
J	-	P	LTR	DESCRIPTION	DATE	DWN	APVD
		A3		REVISED PER ECO-11-005140	28MAR11	RK	HMR

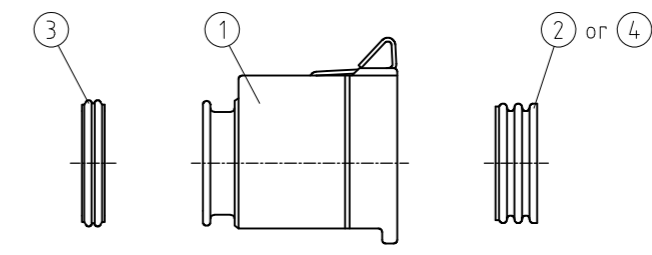
POS.	KIT NUMBER	NAME	COLOR	INNER	OUTER
10	2-1437290-2	① PLUG ASSEMBLY	GRAY	PLUSTIC TUBE	PAPER BOX
		② BUSHING	BLACK	POLY BAG	
		③ SEAL RING	BLACK	POLY BAG	
18	2-1437290-3	① PLUG ASSEMBLY	GRAY	PLUSTIC TUBE	
		② BUSHING	BLACK	POLY BAG	
		③ SEAL RING	BLACK	POLY BAG	
24	2-1437290-4	① PLUG ASSEMBLY	GRAY	PLUSTIC TUBE	
		② BUSHING	BLACK	POLY BAG	
		③ SEAL RING	BLACK	POLY BAG	
10	7-1447231-9	① PLUG ASSEMBLY	GRAY	PLUSTIC TUBE	
		④ BUSHING	BLACK	POLY BAG	
		③ SEAL RING	BLACK	POLY BAG	
10	8-1447231-0	① PLUG ASSEMBLY	GRAY	PLUSTIC TUBE	
		② BUSHING	BROWN	POLY BAG	
		③ SEAL RING	BLACK	POLY BAG	
18	8-1447231-1	① PLUG ASSEMBLY	GRAY	PLUSTIC TUBE	
		② BUSHING	BROWN	POLY BAG	
		③ SEAL RING	BLACK	POLY BAG	
24	8-1447231-2	① PLUG ASSEMBLY	GRAY	PLUSTIC TUBE	
		② BUSHING	BROWN	POLY BAG	
		③ SEAL RING	BLACK	POLY BAG	
10	8-1447231-3	① PLUG ASSEMBLY	GRAY	PLUSTIC TUBE	
		② BUSHING	BLUE	POLY BAG	
		③ SEAL RING	BLACK	POLY BAG	
18	8-1447231-4	① PLUG ASSEMBLY	GRAY	PLUSTIC TUBE	
		② BUSHING	BLUE	POLY BAG	
		③ SEAL RING	BLACK	POLY BAG	
24	2-1437290-5	① PLUG ASSEMBLY	GRAY	PLUSTIC TUBE	
		② BUSHING	BLUE	POLY BAG	
		③ SEAL RING	BLACK	POLY BAG	



△ 嵌合相手型番は表-1参照
 △ PART NUMBER OF CAP HOUSING TO BE MATED: SEE TABLE-1

POS.	KIT NUMBER	CAP HOUSING ASSEMBLY PART NUMBER							
		10POS.	18POS.	24POS.	28POS.	34POS.	38POS.	42POS.	52POS.
10	2-1437290-2		-	-	1-6447233-3 1-1447233-4	6447233-9 1-1447233-0 1-1447233-2	7-1447232-5	-	9-6447232-6 9-1447232-7
10	7-1447231-9	9-6447232-4	-	-				-	
10	8-1447231-0	9-1447232-5	-	-				-	
10	8-1447231-3	-	-	-				-	
18	2-1437290-3	-	5-6437288-5	-	6447233-9 1-1447233-0 1-1447233-2	4-6447232-1 4-6447232-7 4-1447232-0 4-1447232-6	-	-	
18	8-1447231-1	-	1-6447233-8 5-1437288-6	-					-
18	8-1447231-4	-	1-1447233-9	-					-
24	2-1437290-4	-	-	9-6447232-8 5-6437285-8					-
24	8-1447231-2	-	-	7-1437292-5	-	-	-	-	
24	2-1437290-5	-	-	1447233-1	-	-	-	-	

表-1 TABLE-1



36.8 ^{+0.6} ₀	36.6	32.6	38.2	24
28.8 ^{+0.6} ₀	29	25	30.2	18
19.4 ^{+0.5} ₀	20	16	20.8	10
"D"	"C"	"B"	"A"	Pos.

THIS DRAWING IS A CONTROLLED DOCUMENT.

DIMENSIONS: mm

TOLERANCES UNLESS OTHERWISE SPECIFIED:

0 PLC	±
1 PLC	±
2 PLC	±
3 PLC	±
4 PLC	±
ANGLES	±

MATERIAL: - FINISH: -

WEIGHT: -

CUSTOMER DRAWING

DWN: A.YAMAGUCHI 20NOV01
 CHK: S.HIRANUMA 20NOV01
 APVD: K.BETSUI 20NOV01
 PRODUCT SPEC: 108-78047
 APPLICATION SPEC: -

TE Connectivity

WATER SEALED ECU CONNECTOR PLUG HOUSING ASSEMBLY KIT

SIZE: A2 CAGE CODE: 00779 DRAWING NO: C=2-1437290-2 RESTRICTED TO: -

SCALE: - SHEET: 1 OF 1 REV: A3